

AIROBOT L

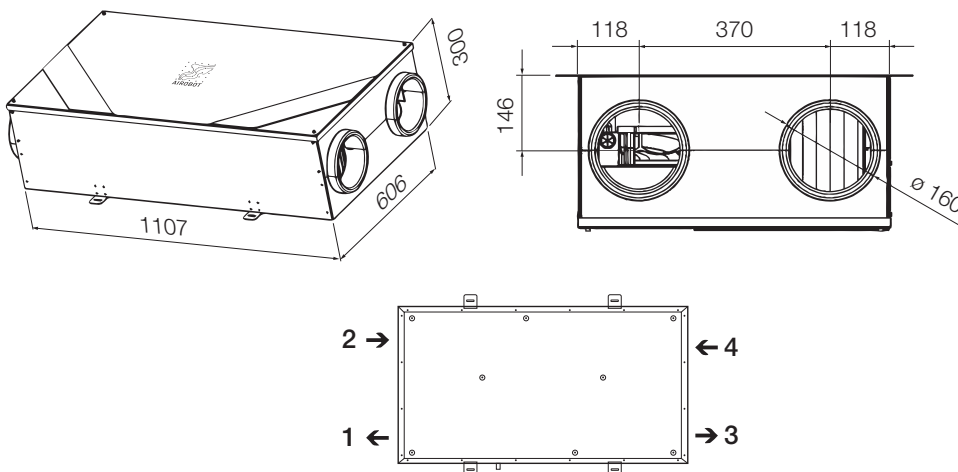


As standard equipment, includes:

- integrated CO₂, VOC, air temperature and humidity sensors
- autonomous control – smart control of fans ensures high-quality interior climate
- room occupancy sensing (together with energy saving mode)
- humidity detection mode.

Specifications

Installation	ceiling-mounted, horizontally
Airflow up to	Airobot L: 250 m ³ /h or 70 l/s or 120 m ² ventilated area Airobot L ERV: 200 m ³ /h or 55 l/s or 100 m ² ventilated area
Heat exchanger	HRV: plate heat exchanger with heat recovery ERV: plate heat exchanger with humidity and heat recovery
Heat recovery efficiency	L: 89%, L ERV: 81%
Filters	panel filters, ePM10 55% (M5) / outside air ePM1 55% (F7)
Power supply	1~230 VAC 50 Hz
Maximum power	1.9 kW (10 A)
Motors	2 × 83 W Radical EC motors
Preheater (frost protection)	integrated, nominal power 1.1 kW PTC, 0–100% control
Special power SPI (L / L ERV)	0.38/0.30 W/(m ³ /h) 175 m ³ /h / 140 m ³ /h 50 Pa
Special power SFP (L / L ERV)	1.36/1.08 W/(m ³ /s) 175 m ³ /h / 140 m ³ /h 50 Pa
Condensate connection (mm)	15 mm, 3 m hose included (only HRV)
Colours	white, black, without metal casing
Packaging	118 × 32 × 66 cm, weight 40 kg (20 kg without case)



Ducts

Type R

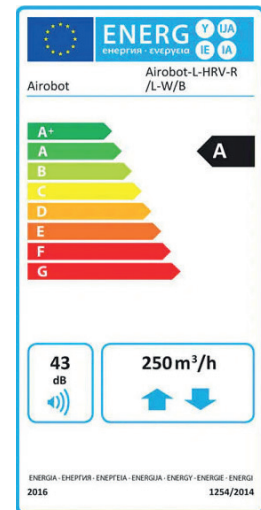
1. Exhaust air
2. Outside air
3. Supply air
4. Extract air

Type L

1. Supply air
2. Extract air
3. Exhaust air
4. Outside air

Energy labels

Airobot L



Airobot L ERV

